

SERIES MP

**MODEL**  
**MP281 / MP282**  
**MP283**  
Mini Check Valve



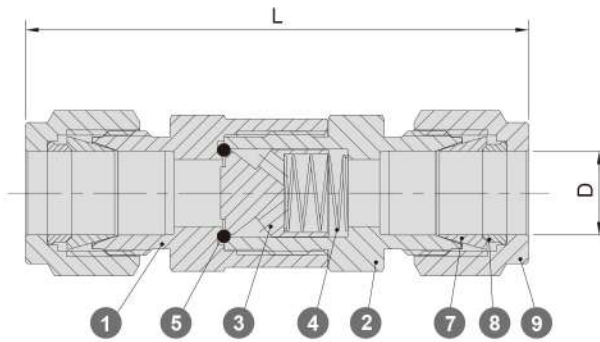
|                            |   |
|----------------------------|---|
| <b>Maximum Pressure</b>    | 2000PSI (138bar)  |
| <b>Temperature Rating</b>  | -20°C ~ +180°C  |
| <b>Cracking Pressure</b>   | 1/3 PSI   |
| <b>Material</b>            | SS316 BAR   |
| <b>Seat</b>                | VITON   |
| <b>Additional Features</b> | <ul style="list-style-type: none"> <li>• Oil-free product</li> <li>• Available connections: Compression fitting end, Female/Male threaded</li> <li>• Silver plated nut</li> <li>• Heat treated ferrule</li> </ul> |

**MATERIALS LIST**

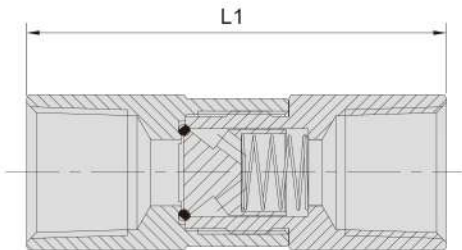
| NO. | PART NAME     | Q'TY | MATERIAL |
|-----|---------------|------|----------|
| 1   | BODY          | 1    | SUS316   |
| 2   | END CONNECTOR | 1    | SUS316   |
| 3   | POPPET        | 1    | SUS316   |
| 4   | SPRING        | 1    | SUS304   |
| 5   | O-RING        | 1    | VITON    |
| 6   | O-RING        | 1    | VITON    |
| 7   | BV FF         | 2    | SUS316   |
| 8   | BV BF         | 2    | SUS316   |
| 9   | LOCKER        | 2    | SUS316   |

**DIMENSIONS (mm)**

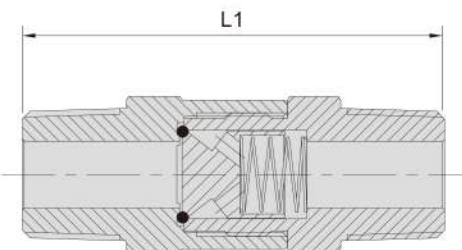
| SIZE | D    | L    | L1   |
|------|------|------|------|
| 1/4" | 6.49 | 60.7 | 49   |
| 3/8" | 9.7  | 63.7 | 49   |
| 1/2" | 12.9 | 77.1 | 65   |
| 3/4" | 19.2 | 89.6 | 77.2 |
| 1"   | 25.5 | 120  | 105  |



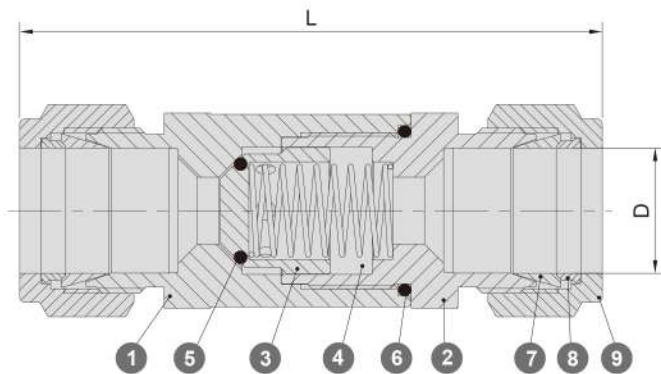
1/4"-1/2"  
MODEL MP281  
Compression Fitting End



MODEL MP282  
Female



MODEL MP283  
Male



3/4"-1"  
MODEL MP281  
Compression Fitting End

SERIES 10

SERIES 20

SERIES 30

SERIES 70

SERIES 85

SERIES 90

SERIES 95

SERIES MP

OTHER VALVES  
AND  
TEMPERATURE  
RATINGS

TEMPERATURE  
RATINGS