

SERIES MP

MODEL MP392

3-Piece 2/3-Way High Pressure Instrumentation Ball Valve



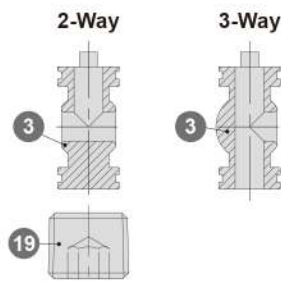
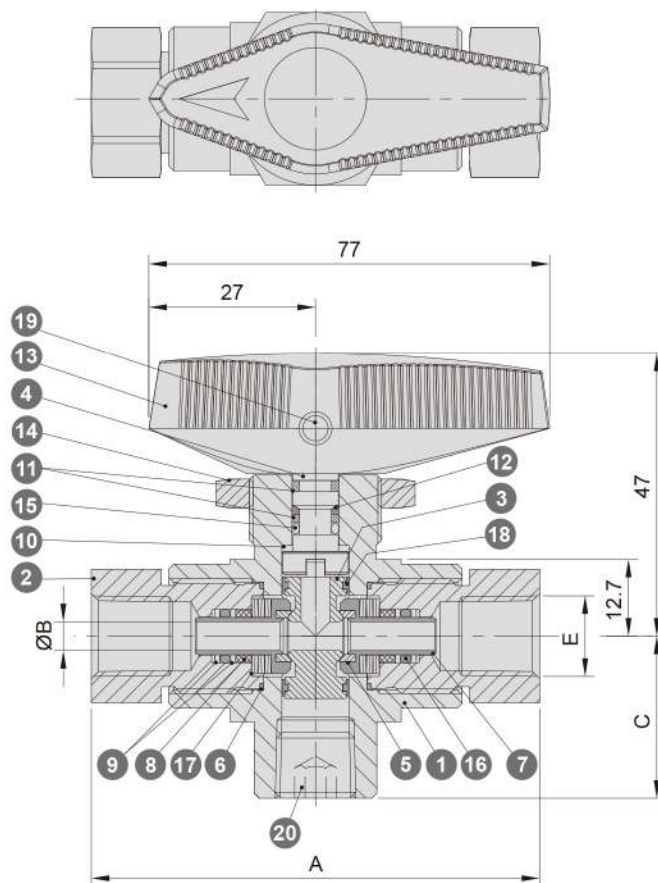
Maximum Pressure	6000PSI (414bar), 10000PSI (689bar)
Temperature Rating	6000PSI: -20°C ~ +120°C, 10000PSI: -10°C ~ +200°C
Material	SS316 BAR
Seat	PCTFE (6000PSI), PEEK (10000PSI)
Additional Features	<ul style="list-style-type: none"> • L-port available • Available connection: Female threaded

MATERIALS OF CONSTRUCTION

NO.	PART NAME	Q'TY	MATERIAL
1	BODY	1	SUS316
2	END CONNECTOR	2	SUS316
3	BALL	1	SUS316
4	STEM	1	SUS316
5	SEAT	2	6000PSI:PCTFE 10000PSI:PEEK
6	PACKING	2	TFM1600
7	SEAT RETAINER	2	SUS316
8	SPRING WASHER	2	SUS316
9	SEAT RETAINER O-RING BACK-UP	4	TFM1600
10	STEM WASHER	1	PEEK
11	STEM O-RING BACK-UP	2	TFM1600
12	PRIMARY STEM BACKUP RING	1	PEEK
13	HANDLE / INSERT	1	PA66-GF30%
14	PANEL NUT	1	SUS304
15	STEM O-RING	1	VITON
16	SEAT RETAINER O-RING	2	VITON
17	BELLEVILLE WASHER	12	SUS304
18	TRUNNION BEARINGS	2	PEEK
19	HANDLE SCREW	1	SUS304
20	PLUG(2-WAY ONLY)	1	SUS304

DIMENSIONS (mm)

SIZE	A	ØB	C	E (Thread)
1/8"	74.6	4.8	26.9	NPT.PT.PF
1/4"	74.6	4.8	26.9	NPT.PT.PF
3/8"	93.8	4.8	26.9	NPT.PT.PF
1/2"	100.2	4.8	28.9	NPT.PT.PF



SERIES 10

SERIES 20

SERIES 30

SERIES 70

SERIES 85

SERIES 90

SERIES 95

SERIES MP

OTHER VALVES
AND
VALVE PARTS

PRESSURE
TEMPERATURE
RATINGS