

SERIES MP

MODEL
MP381 / MP382
MP383

3-Piece 3-Way
Instrumentation Ball Valve



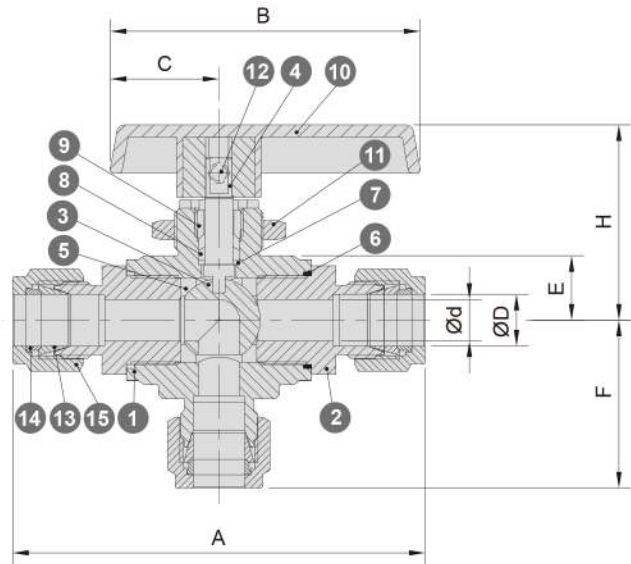
Maximum Pressure	3000PSI (207bar)
Temperature Rating	-20°C ~ +180°C
Material	ASTM A351-CF8M
Seat	TFM1600
Additional Features	<ul style="list-style-type: none"> • Oil-free product • L-port, available • Available connections: Compression fitting end, Female/Male threaded • Silver plated nut • Heat treated ferrule

MATERIALS LIST

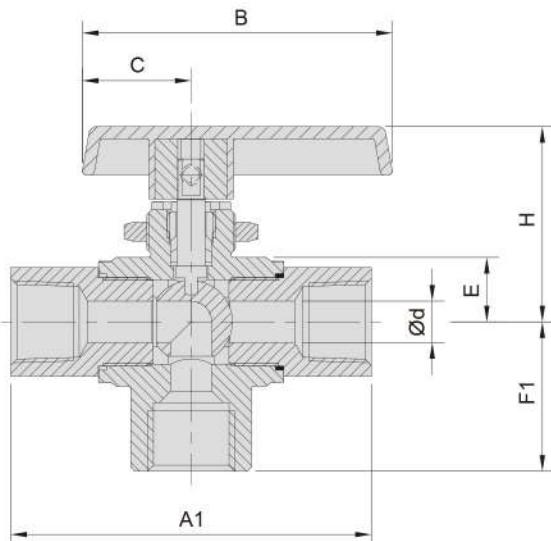
NO.	PART NAME	Q'TY	MATERIAL
1	BODY	1	ASTM A351-CF8M
2	END CONNECTOR	2	SUS316
3	BALL	1	SUS316
4	STEM	1	SUS316
5	SEAT	2	TFM1600
6	PACKING	2	PTFE
7	STEM WASHER	1	SUS304
8	STEM PACKING	1SET	PTFE
9	PACKING NUT	1	SUS316
10	HANDLE	1	PA66-GF30%
11	PANEL NUT	1	SUS304
12	HANDLE SET SCREW	1	SUS304
13	FRONT FERRULE	3	SUS316
14	BACK FERRULE	3	SUS316
15	NUT	3	SUS316

DIMENSIONS (mm)

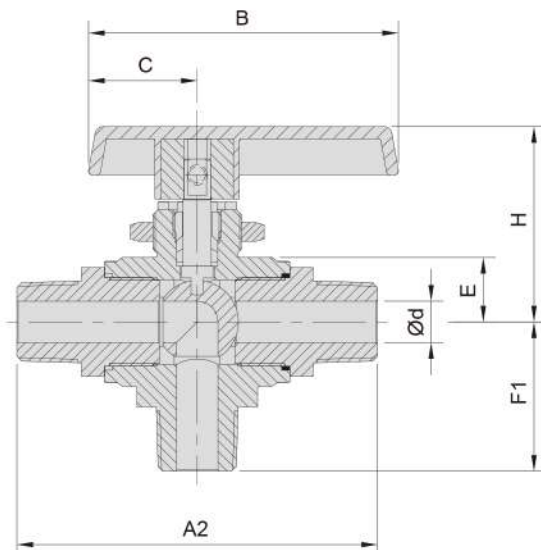
SIZE	A	A1	A2	B	C	Ød	ØD	E	F	F1	H
1/4"	83.6	65.6	70.2	63	25	5	6.49	11.5	32.3	26.7	42.2
3/8"	86.6	67.6	71.6	63	25	6.3	9.7	11.5	33.8	26.7	42.2
1/2"	105.5	89.6	89.6	77	27	10.3	12.9	16	41.6	37	47.9
3/4"	105.7	89.6	89.6	77	27	10.3	19.2	16	41.7	37	47.9



MODEL MP381
Compression Fitting End



MODEL MP382
Female



MODEL MP383
Male

SERIES 10

SERIES 20

SERIES 30

SERIES 70

SERIES 85

SERIES 90

SERIES 95

SERIES MP

OTHER VALVES
AND
VALVE PARTS

PRESSURE-
TEMPERATURE
RATINGS