

SERIES MP

MODEL MP371 / MP372 MP373

3-Piece Instrumentation
Ball Valve



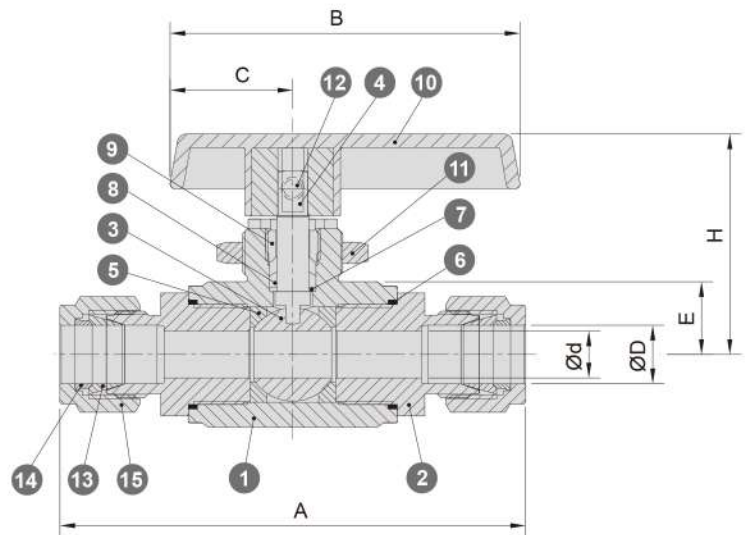
Maximum Pressure	3000PSI (207bar)
Temperature Rating	-20°C ~ +180°C
Material	ASTM A351-CF8M
Seat	TFM1600
Additional Features	<ul style="list-style-type: none"> • Oil-free product • Available connections: Compression fitting end, Female/Male threaded • Silver plated nut • Heat treated ferrule

MATERIALS LIST

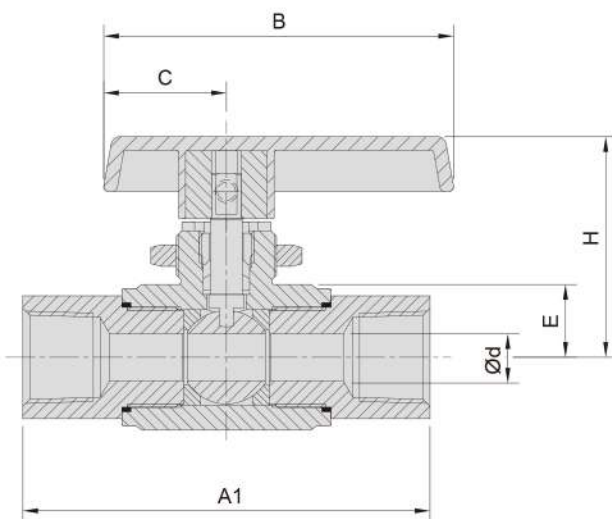
NO.	PART NAME	Q'TY	MATERIAL
1	BODY	1	ASTM A351-CF8M
2	END CONNECTOR	2	SUS316
3	BALL	1	SUS316
4	STEM	1	SUS316
5	SEAT	2	TFM1600
6	PACKING	2	PTFE
7	STEM WASHER	1	SUS304
8	STEM PACKING	1SET	PTFE
9	PACKING NUT	1	SUS316
10	HANDLE	1	PA66-GF30%
11	PANEL NUT	1	SUS304
12	HANDLE SET SCREW	1	SUS304
13	FRONT FERRULE	2	SUS316
14	BACK FERRULE	2	SUS316
15	NUT	2	SUS316

DIMENSIONS (mm)

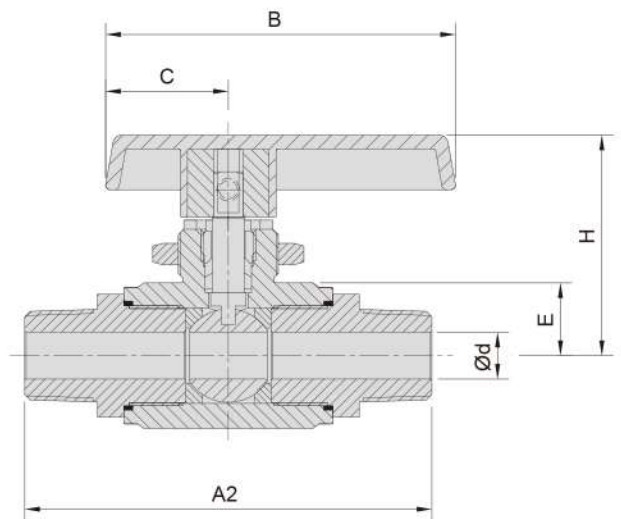
SIZE	A	A1	A2	B	C	Ød	ØD	E	H
1/4"	83.6	65.6	70.2	63	25	5	6.49	11.5	42.2
3/8"	86.6	67.6	71.6	63	25	6.3	9.7	11.5	42.2
1/2"	102.5	89.6	89.6	77	27	10.3	12.9	16	47.9
3/4"	102.7	89.6	89.6	77	27	10.3	19.2	16	47.9



MODEL MP371
Compression Fitting End



MODEL MP372
Female



MODEL MP373
Male