

SERIES 20

MODEL 204-4

4-Way Ball Valve

Threaded



Pressure Rating	1000WOG
Material	ASTM A351-CF8M
Seat	PTFE
Bore Type	Standard bore
Additional Features	<ul style="list-style-type: none"> • L-port, T-port, X-port available • ISO 5211 direct mounting pad

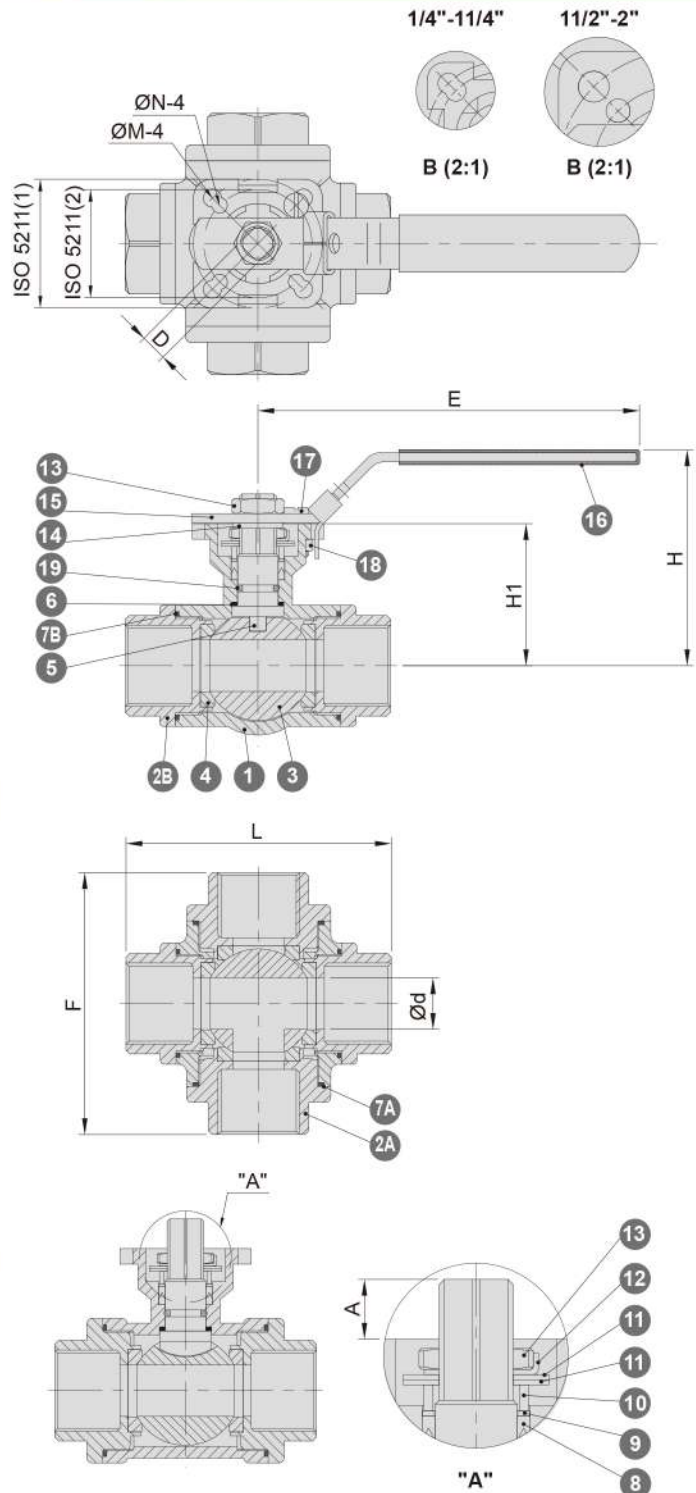
MATERIALS LIST

NO.	PART NAME	QTY	MATERIAL
1	BODY	1	CF8M
2A	CAP	2	CF8M
2B	CAP	2	CF8M
3	BALL	1	CF8M
4	SEAT	4/1 SETS	PTFE
5	STEM	1	SUS316
6	THRUST WASHER	1	PTFE
7A	PACKING	2/1 SETS	PTFE
7B	PACKING	2/1 SETS	PTFE
8	STEM PACKING	1 SETS	PTFE
9	THRUST WASHER	1	TFM1600
10	GLAND BUSH	1	SUS304
11	BELLEVILLE WASHER	2	SUS304
12	STOP	1	SUS304
13	HANDLE NUT	2	SUS304
14	WASHER	1	SUS304
15	HANDLE	1	SUS304
16	HANDLE SLEEVE	1	VINYL
17	LEVER STOP	1	SUS304
18	LEVER STOP NUT	1	SUS304
19	O-RING	1	VITON

DIMENSIONS (mm)

SIZE	Ød	L	H	D	F	A	ØN	E	ØM	H1	ISO 5211	
											(1)	(2)
1/4"	11.8	75.7	68	9	76.5	8.2	6	6	131	36.8	F04	F03
3/8"	11.8	75.7	68	9	76.5	8.2	6	6	131	36.8	F04	F03
1/2"	12.5	75.7	68	9	76.5	8.2	6	6	131	36.8	F04	F03
3/4"	16	86.6	74	9	89.4	9.0	6	6	131	44.1	F04	F03
1"	20	103	94	11	101.6	11.5	6	7	184	55.1	F05	F04
1 1/4"	25	118.2	100	11	115.4	11.5	6	7	184	60.7	F05	F04
1 1/2"	32	125.8	114	14	125.2	15.1	7	9	227	75.2	F07	F05
2"	38	149	123	14	148.6	15.1	7	9	227	84.4	F07	F05

PORT TYPE	1	2	3	4	
T					1/4"-3/8" T-PORT Ød-Ø11
L					1/4"-3/8" L-PORT Ød-Ø11
X					1/4"-3/8" X-PORT Ød-Ø8



SERIES 10
SERIES 20
SERIES 30
SERIES 70
SERIES 85
SERIES 90
SERIES 95
SERIES MPY / MP
OTHER VALVES AND VALVE PARTS
PRESSURE-TEMPERATURE RATINGS