

# SERIES 20

## MODEL 204-3

3-Way Sanitary Ball Valve  
T-Clamp



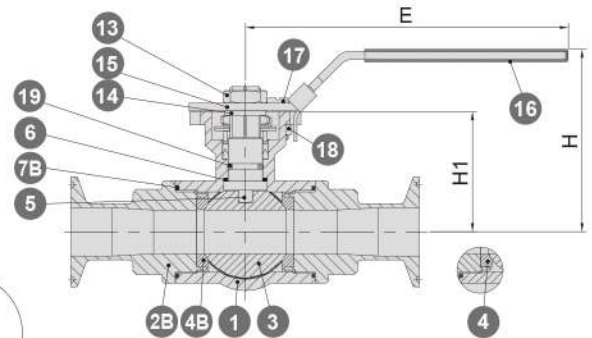
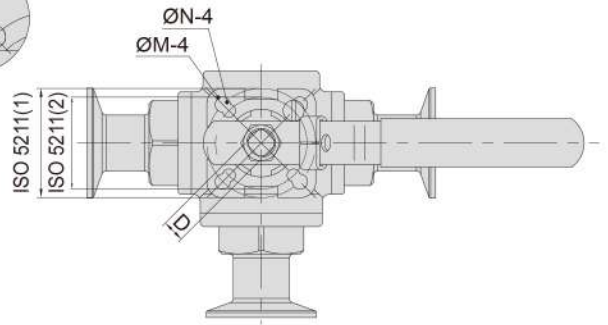
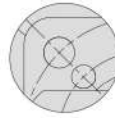
<b>Pressure Rating</b>	1000WOG
<b>Material</b>	ASTM A351-CF8M
<b>Seat</b>	Cavity filled PTFE
<b>Bore Type</b>	Standard bore
<b>Additional Features</b>	<ul style="list-style-type: none"> <li>• L-port, T-port available</li> <li>• Surface roughness: Ra&lt;0.5µm</li> <li>• ISO 5211 direct mounting pad</li> </ul>

### MATERIALS LIST

NO.	PART NAME	QTY	MATERIAL
1	BODY	1	CF8M
2A	CAP	1	CF8M
2B	CAP	2	CF8M
3	BALL	1	CF8M
4	SEAT	4/1 SETS	PTFE
4A	SEAT	2/1 SETS	PTFE
4B	SEAT	2/1 SETS	PTFE
5	STEM	1	SUS316
6	THRUST WASHER	1	PTFE
7A	PACKING	1	PTFE
7B	PACKING	2/1 SETS	PTFE
8	STEM PACKING	1 SETS	PTFE
9	THRUST WASHER	1	TFM1600
10	GLAND BUSH	1	SUS304
11	BELLEVILLE WASAER	2	SUS304
12	STOP	1	SUS304
13	HANDLE NUT	2	SUS304
14	WASHER	1	SUS304
15	HANDLE	1	SUS304
16	HANDLE SLEEVE	1	VINYL
17	LEVER STOP	1	SUS304
18	LEVER STOP NUT	1	SUS304
19	O-RING	1	VITON
20	STUFF	1	PTFE

1/4"-11/4"

1 1/2"-2"

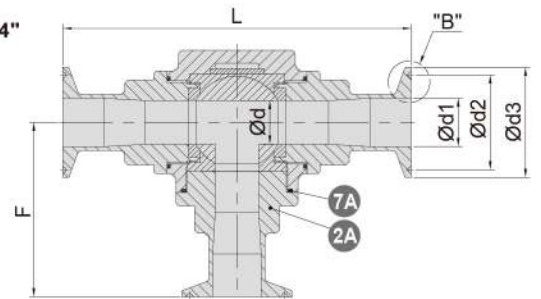


"B" 1"-2"

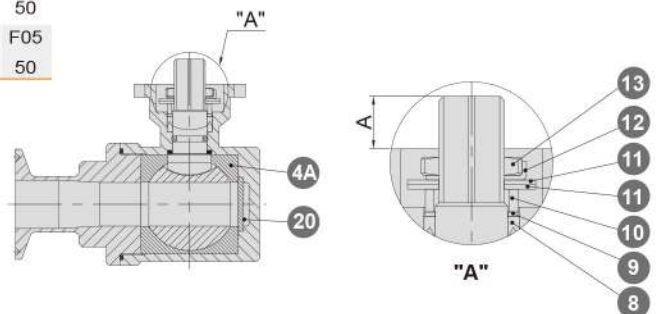
"B" 1/2"-3/4"

### DIMENSIONS (mm)

SIZE	Ød	Ød1	Ød2	Ød3	L	H	D	F	A	ØN	ØM	E	H1	ISO 5211	
														(1)	(2)
1/2"	12.5	9.4	20.32	25	133	68	9	67	8.2	6	6	131	36.8	F04	F03
														42	36
3/4"	12.5	15.75	20.32	25	142	68	9	71	8.2	6	6	131	36.8	F04	F03
														42	36
1"	20	22.1	43.64	50.4	160	94	11	80	11.5	6	7	184	55.1	F05	F04
														50	42
1 1/2"	32	34.8	43.64	50.4	182	114	14	91	15.1	7	9	227	75.2	F07	F05
														70	50
2"	38	47.5	56.34	64	216	123	14	108	15.1	7	9	227	84.4	F07	F05
														70	50



TYPE	PORT	1	2	3	4
T					
L					



SERIES 10

SERIES 20

SERIES 30

SERIES 70

SERIES 85

SERIES 90

SERIES 95

SERIES  
MPY / MP

OTHER VALVES  
AND  
VALVE PARTS

PRESSURE-  
TEMPERATURE  
RATINGS