

SERIES 90

MODEL
90KF-NW

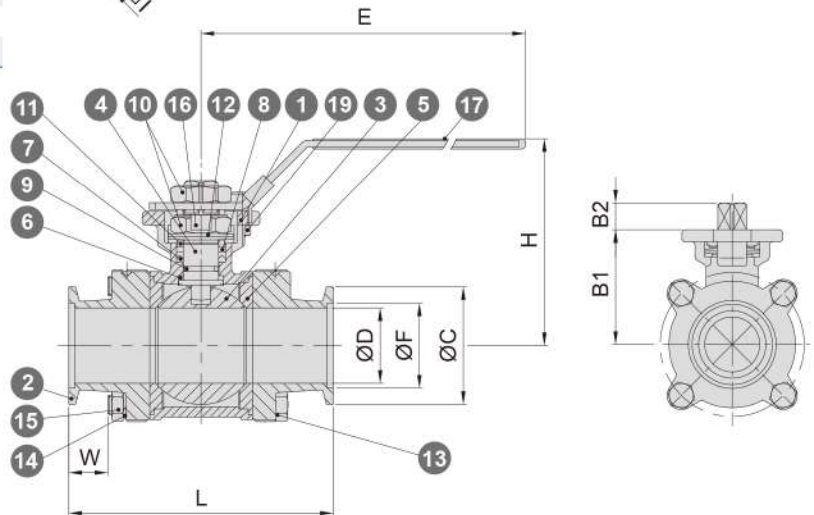
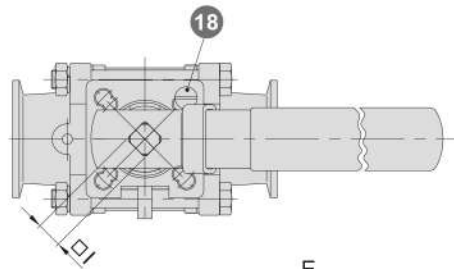
3-Piece Vacuum
Ball Valve



Pressure Rating	PN64
Material	EN10213-1.4408, ASTM A351-CF8M
Seat	TFM1600
Bore Type	Full bore
Additional Features	<ul style="list-style-type: none"> • ISO 5211 direct mounting pad • Vacuum rated to 1×10^{-4} Torr • Able to add anti-static device (Ball-stem-body)

MATERIALS LIST

NO.	PART NAME	Q'TY	MATERIAL
1	BODY	1	1.4408(CF8M)
2	END CAP	2	1.4408(CF8M)
3	BALL	1	SUS316
4	STEM	1	SUS316
5	SEAT	2	TFM1600
6	STEM SEAL	1	R.PTFE
7	V-RING PACKING	1SET	PTFE
8	BUSHING	1	50%S.S.POWDER FILLED PTFE
9	O-RING	1	VITON
10	STEM NUT	2	SUS304
11	GLAND	1	SUS304
12	BELLEVILLE WASHER	2	SUS304
13	BOLT	4	SUS304
14	WASHER	4	SUS304
15	BOLT NUT	4	SUS304
16	LOCK SADDLE	1	SUS304
17	HANDLE	1	SUS304
18	STOP PIN	1	SUS304
19	STOP PIN NUT	1	SUS304



DIMENSIONS (mm)

SIZE	B1	B2	ØC	ØF	ØD	E	H	DI	L	W	ISO 5211
NW10 3/8"	40.2	9	30	12.2	9.5	128	70.5	9	89	14.5	F03 F04
NW16 1/2"	40.2	9	30	17.2	15	128	70.5	9	89	14.5	F03 F04
NW25 1"	52	14	40	26.2	22.2	167	85.4	11	119	22.5	F04 F05
NW40 1 1/2"	65.7	15.5	55	41.2	38	215	99.6	14	147	23	F05 F07
NW50 2"	73.95	15.5	75	52.2	50	215	107.8	14	181	23	F05 F07

SERIES 10

SERIES 20

SERIES 30

SERIES 70

SERIES 85

SERIES 90

SERIES 95

SERIES
MPY / MP

OTHER VALVES
AND
VALVES PARTS

PRESSURE-
TEMPERATURE
RATINGS