

SERIES 70

MODEL 70KF-NW

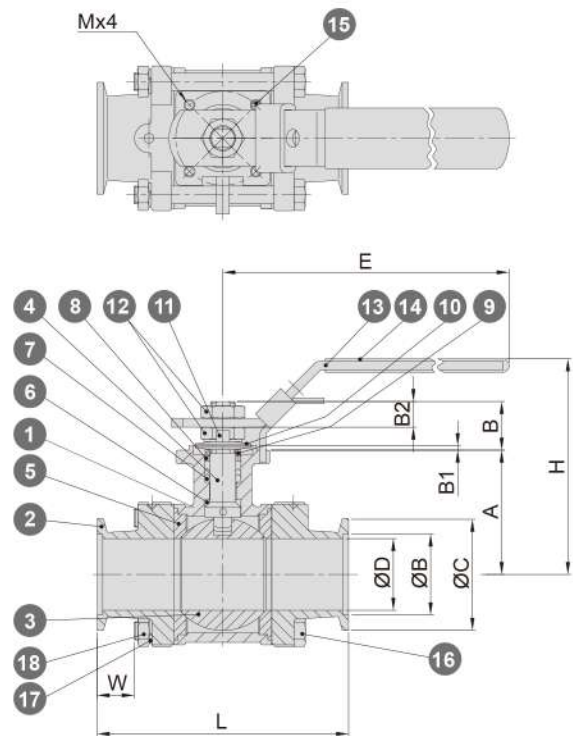
3-Piece Vacuum
Ball Valve



Pressure Rating	PN64
Material	EN10213-1.4408, ASTM A351-CF8M
Seat	TFM1600
Bore Type	Full bore
Additional Features	<ul style="list-style-type: none"> • Anti-static device (Ball-stem-body) • Able to mount actuators with extra parts • Vacuum rated to 1×10^{-4} Torr

MATERIALS LIST

NO.	PART NAME	QTY	MATERIAL
1	BODY	1	1.4408(CF8M)
2	END CAP	2	1.4408(CF8M)
3	BALL	1	SUS316
4	STEM	1	SUS316
5	SEAT	2	PTFE
6	STEM SEAL	1	R.PTFE
7	V-RING PACKING	1SET	PTFE
8	BUSHING	1	50%S.S.POWDER FILLED PTFE
9	GLAND	1	SUS304
10	BELLEVILLE WASHER	2	SUS304
11	LOCK SADDLE	1	SUS304
12	STEM NUT	2	SUS304
13	HANDLE	1	SUS304
14	HANDLE SLEEVE	1	VINYL
15	STOP PIN	1	SUS304
16	BOLT	4	SUS304
17	WASHER	4	SUS304
18	BOLT NUT	4	SUS304



DIMENSIONS (mm)

SIZE	A	B	B1	B2	ØC	ØB	ØD	E	H	L	M	W	ISO 5211
NW10 3/8"	37	18.8	2	9.3	30	12.2	9.5	136	72	89	M5	14.5	F04
NW16 1/2"	37	18.8	2	9.3	30	17.2	15	136	72	89	M5	14.5	F04
NW25 1"	50	20.4	2	10.7	40	26.2	22.2	152	92	119	M5	22.5	F04
NW40 1 1/2"	63	26.8	3	12.6	55	41.2	38	190	109	147	M6	23	F05
NW50 2"	71.3	26.8	3	12.6	75	52.2	50	190	117	181	M6	33	F05

SERIES 10

SERIES 20

SERIES 30

SERIES 70

SERIES 85

SERIES 90

SERIES 95

SERIES
MPY / MP

OTHER VALVES
AND
VALVES PARTS

PRESSURE-
TEMPERATURE
RATINGS