

SERIES 90

MODEL 906J

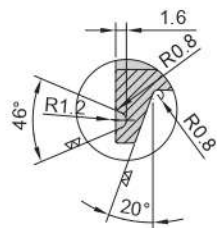
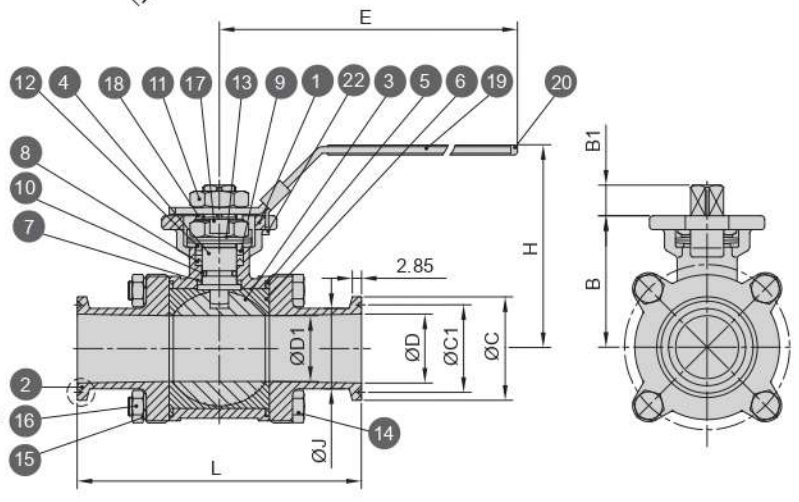
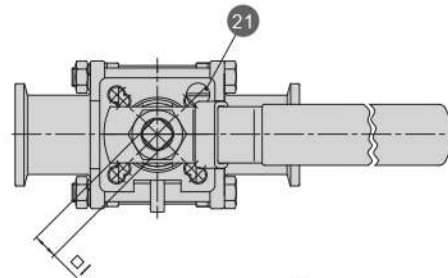
3-Piece Sanitary Ball Valve



Pressure Rating	PN64
Material	EN10213-1.4408
Seat	Cavity filled PTFE
Additional Features	<ul style="list-style-type: none"> Ball, Cap, Body: Electropolished Surface roughness: $Ra \leq 0.4 \mu m$ ISO 5211 direct mounting pad Able to add Anti-static device (Ball-stem-body)

MATERIALS LIST

NO.	PART NAME	QTY	MATERIAL
1	BODY	1	1.4408
2	END CAP	2	SCS14A
3	BALL	1	SUS316
4	STEM	1	SUS316
5	PACKING	2	PTFE
6	SEAT/CAVITY FILLER	2	PTFE
7	STEM SEAL	1	R.PTFE
8	V-RING PACKING	1SET	PTFE
9	BUSHING	1	50%S.S.POWDER FILLED PTFE
10	O-RING	1	VITON
11	STEM NUT	2	SUS304
12	GLAND	1	SUS304
13	BELLEVILLE WASHER	2	SUS304
14	BOLT	4	SUS304
15	WASHER	4	SUS304
16	BOLT NUT	4	SUS304
17	LOCK SADDLE	1	SUS304
18	WASHER	1	SUS304
19	HANDLE	1	SUS304
20	HANDLE SLEEVE	1	VINYL
21	STOP PIN	1	SUS304
22	STOP PIN NUT	1	SUS304



DIMENSIONS (mm)

SIZE	B	B1	ØC	ØC1	ØD	ØD1	E	H	ØI	ØJ	L	ISO 5211
8A(1/4")	40.2	9	34	27.5	10.5	10.5	130	68	9	13.8	90	F03 F04
10A(3/8")	40.2	9	34	27.5	14	15	130	68	9	18.3	90	F03 F04
15A(1/2")	40.2	9	34	27.5	17.5	15	130	68	9	20.8	102	F03 F04
1.0S(1")	52	14	50.5	43.5	23	22.2	168	83	11	26.3	110	F04 F05
1.5S(1 1/2")	65.7	15.5	50.5	43.5	35.7	34.8	220	98	14	39	140	F05 F07
2.0S(2")	73.95	15.5	64	56.5	47.8	47.5	220	106	14	51.1	156	F05 F07

SERIES 10

SERIES 20

SERIES 30

SERIES 70

SERIES 85

SERIES 90

SERIES 95

SERIES MPY / MP

OTHER VALVES AND VALVES PARTS

TEMPERATURE RATINGS