

SERIES 90

MODEL 904LV

3-Piece Ball Valve

Tube / Pipe

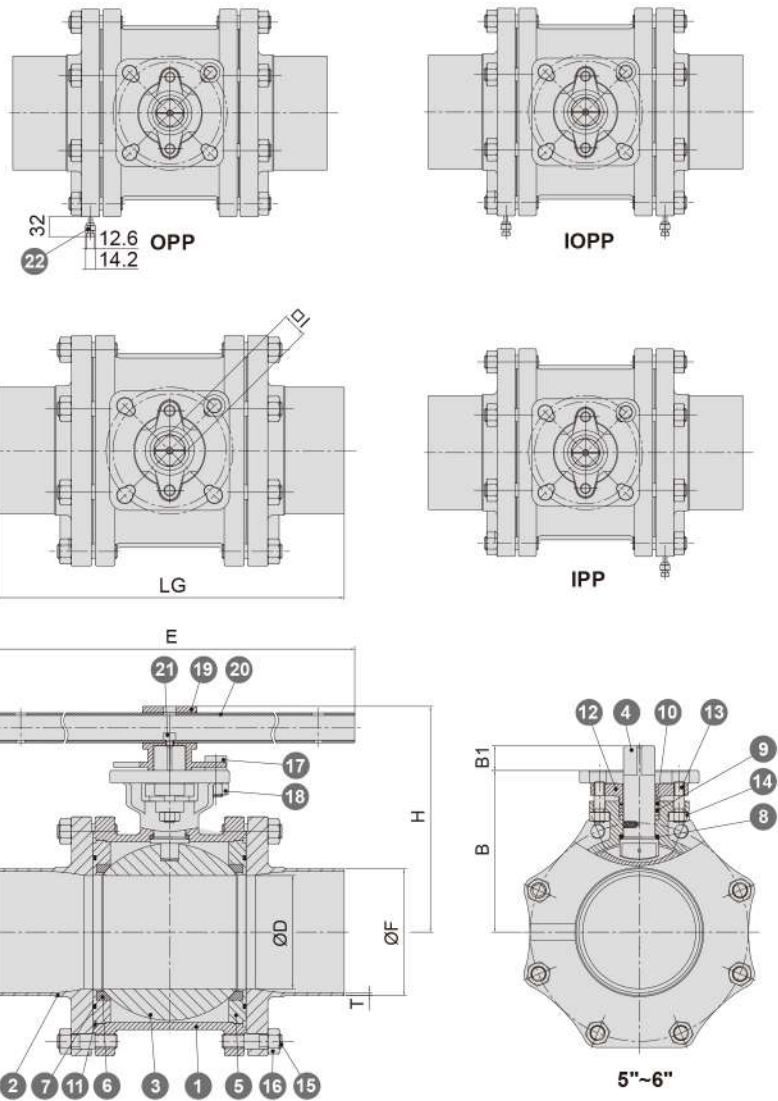
(5" - 6")



Pressure Rating	PN16 (5"-6")
Material	EN10213-1.4408, ASTM A351-CF8M
Seat	TFM1600
Bore Type	Pipe end: Full bore, Tube end: Standard bore
Additional Features	<ul style="list-style-type: none"> • Oil-free product • Pipe end: 5S (SCH5), 10S (SCH10) • AP Grade (Ra ≤ 0.8μm), BA Grade (Ra ≤ 0.25μm) • ISO 5211 direct mounting pad • Able to add anti-static device (Ball-stem-body)

MATERIALS LIST

NO.	PART NAME	QTY	MATERIAL
1	BODY	1	1.4408 (CF8M)
2	END CAP	2	1.4409 (CF3M)
3	BALL	1	SUS316
4	STEM	1	630 (H1150)
5	JOINT GASKET	2	SUS316
6	SEAT	2	TFM1600
7	PACKING	2	PTFE
8	STEM SEAL	1	PTFE
9	V-RING PACKING	1SET	PTFE
10	BUSHING	1	50%S.S.POWDER FILLED PTFE
11	PACKING	2	PTFE
12	GLAND	1	CF8
13	GLAND BOLT	2	SUS304
14	GLAND NUT	2	SUS304
15	BOLT	16	SUS304
16	NUT	16	SUS304
17	STOP PIN	1	SUS304
18	STOP PIN NUT	1	SUS304
19	HANDLE ADAPTOR	1	CF8
20	PIPE HANDLE	1	SUS304
21	HANDLE BOLT	1	SUS304
22	PURGE PORT	0~2	SUS304



DIMENSIONS (mm)

SIZE	B	B1	t	Øf	ØD	E	ØF	H	□I	L	T		LG	ISO 5211
											5S	10S		
5" 125A	178.5	27	2.77	127	125	600	139.8	250	27	63	2.8	3.4	386	F12 F14
6" 150A	196	27	2.77	152.4	150	800	165.2	267.5	27	63	2.8	3.4	415	F12 F14

SERIES 10
SERIES 20
SERIES 30
SERIES 70
SERIES 85
SERIES 90
SERIES 95
SERIES MPY / MP
OTHER VALVES AND VALVES PARTS
PRESSURE-TEMPERATURE RATINGS