

SERIES 90

MODEL
901 / 902
903 / 904

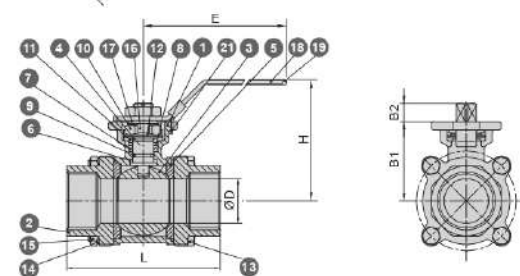
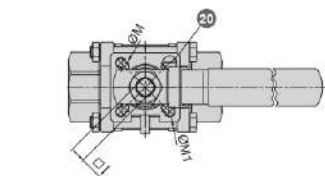
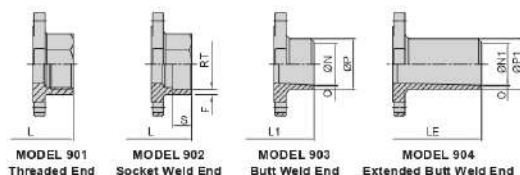
3-Piece Ball Valve



Pressure Rating	PN64 (1/4"-2") PN50 (2 1/2"-4") PN16 (5"-6")
Material	EN10213-1.4408, ASTM A351-CF8M
Seat	TFM1600, 25%, 50%
Bore Type	Full bore
Additional Features	<ul style="list-style-type: none"> Available connections: Threaded, Socket weld, Butt weld, Extended butt weld ISO 5211 direct mounting pad Able to add anti-static device (Ball-stem-body)

MATERIALS LIST (1/4"- 4")

NO.	PART NAME	QTY	MATERIAL
1	BODY	1	1.4408(CF8M)
2	END CAP	2	1.4408(CF8M)
3	BALL	1	SUS316
4	STEM	1	SUS316
5	SEAT	2	TFM1600
6	STEM SEAL	1	R.PTFE
7	V-RING PACKING	1SET	PTFE
8	BUSHING	1	50% S.S POWDER FILLED PTFE
9	O-RING	1	VITON
10	STEM NUT	1	SUS304
11	GLAND	1	SUS304
12	BELLEVILLE WASHER	2	SUS304
13	BOLT	4-6	SUS304
14	WASHER	4-12	SUS304
15	BOLT NUT	4-12	SUS304
16	LOCK SADDLE	1	SUS304
17	WASHER	1	SUS304
18	HANDLE	1	SUS304
19	HANDLE SLEEVE	1	VINYL
20	STOP PIN	1	SUS304
21	STOP PIN NUT	1	SUS304

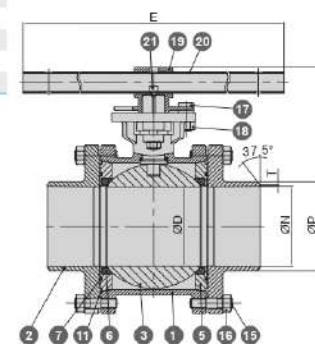
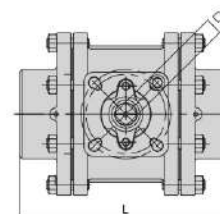


DIMENSIONS (mm)

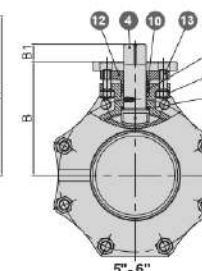
SIZE	B1	B2	ØD	F	E	H	ØI	L	L1	LE	ØM	ØM1	ØN	ØN1	O	ØP	ØP1	RT	S	ISO 5211
1/4"	40.2	9	11.6	128	3.6	70.5	9	60	70	-	6	6	11.6	-	1	18	-	14.2	11	F03 F04
3/8"	40.2	9	12.5	128	2	70.5	9	60	70	-	6	6	14	-	1	18	-	17.7	11	F03 F04
1/2"	40.2	9	15	128	2	70.5	9	69	69	225	6	6	17	15.6	1	22.7	21	21.9	12	F03 F04
3/4"	43.4	9	20	128	2.6	73.8	9	78	78	225	6	6	22.5	20.7	1	27.8	26.8	27.3	14	F03 F04
1"	52	14	25	167	3.2	85.4	11	84	84	244	6	7	26	25.8	1	33.5	34.4	34.1	14	F04 F05
1 1/4"	56.5	14	32	167	5.35	90	11	104	104	253	6	7	34.4	33.3	1	42.2	43.4	42.8	15	F04 F05
1 1/2"	65.7	15.5	38	215	5.7	99.6	14	118	119	258	7	9.2	41.5	40.5	1	49	49.8	49.8	17	F05 F07
2"	73.95	15.5	50	215	6.1	107.8	14	129	131	275	7	9.2	53	51.5	1	61	61	61.3	19	F05 F07
2 1/2"	94	16.5	65	322	7.15	145.7	17	185	190	332	9	11	69.4	65	1	75.7	77	74	21	F07 F10
3"	102	16.5	80	322	7.8	154.7	17	205	220	354	9	11	82	81	1	91.6	91	90	25	F07 F10
4"	132	21.5	100	320	7.85	188	22	230	269	360	-	11	103	101	1	115.8	115	115.6	30	F10

MATERIALS LIST (5"- 6")

NO.	PART NAME	QTY	MATERIAL
1	BODY	1	1.4408(CF8M)
2	END CAP	2	1.4409(CF3M)
3	BALL	1	SUS316
4	STEM	1	630(H1150)
5	JOINT GASKET	2	SUS316
6	SEAT	2	TFM1600
7	PACKING	2	PTFE
8	STEM SEAL	1	PTFE
9	V-RING PACKING	1SET	PTFE
10	BUSHING	1	50% S.S POWDER FILLED PTFE
11	PACKING	2	PTFE
12	GLAND	1	CF8
13	GLAND BOLT	2	SUS304
14	GLAND NUT	2	SUS304
15	BOLT	16	SUS304
16	NUT	16	SUS304
17	STOP PIN	1	SUS304
18	STOP PIN NUT	1	SUS304
19	HANDLE ADAPTOR	1	CF8
20	PIPE HANDLE	1	SUS304
21	HANDLE BOLT	1	SUS304



MODEL 903
Butt Weld
End



DIMENSIONS (mm)

SIZE	B	B1	ØD	E	H	ØI	L	ØN	ØP	T	ISO 5211
5" 125A	178.5	27	125	600	250	27	334	126.6	139.8	1.6	F12 F14
6" 150A	196	27	150	800	267.5	27	363	151	168.4	1.6	F12 F14

SERIES 10
SERIES 20
SERIES 30
SERIES 70
SERIES 85
SERIES 90
SERIES 95
SERIES M/P / MP
OTHER VALVES AND VALVE PARTS
PRESSURE-RATING

SERIES 10
SERIES 20
SERIES 30
SERIES 70
SERIES 85
SERIES 90
SERIES 95
SERIES M/P / MP
OTHER VALVES AND VALVE PARTS
PRESSURE-RATING