

SERIES 85

MODEL

851 / 852 / 853

3-Piece High Pressure  
Ball Valve



**Pressure Rating**

85F 1500WOG (1/4"-1")
1000WOG (1/4"-2")
700WOG (2 1/2"-3")
85R 1500WOG (1/2"-1 1/4")
1000WOG (1 1/2"-2 1/2")
700WOG (3"-4")

**Material** EN10213 1.4408 / 1.0619

**Seat** TFM1600, 25%, 50%

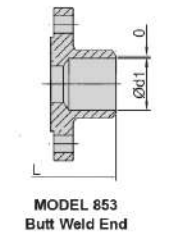
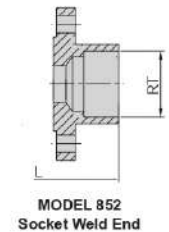
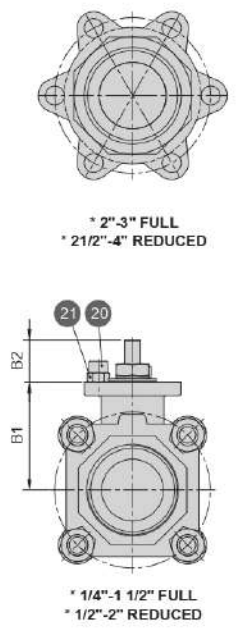
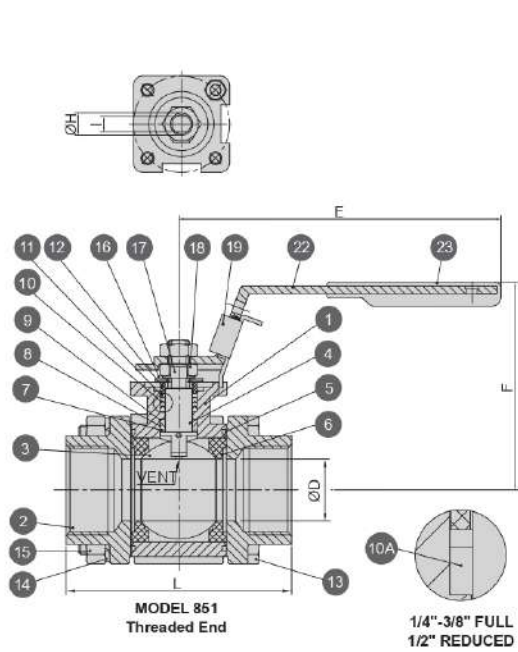
**Bore Type** Full bore, Reduced bore

**Additional Features**

- Available connections: Threaded, Socket weld, Butt weld
- Anti-static device (Ball-stem-body)
- Able to mount actuators with extra parts

MATERIALS LIST

NO.	PART NAME	QTY	MATERIAL
1	BODY	1	1.4408(CF8M)/ 1.0619(WCB)
2	END CAP	2	1.4408(CF8M)/ 1.0619(WCB)
3	BALL	1	SUS316
4	STEM	1	SUS316
5	PACKING	2	PTFE
6	SEAT	2	25% CARBON FILLED PTFE
7	LOWER STEM SEAL	1	50% S.S POWDER FILLED PTFE
8	COMPRESS RING	1	SUS316
9	UPPER STEM SEAL	1	TFM4215
10	V-RING PACKING	1SET	MG1241
10A	STEM PACKING	1	TFM4215
11	BUSHING	1	50% S.S POWDER FILLED PTFE
12	GLAND	1	SUS304
13	BOLT	4.6	SUS304
14	WASHER	4.6	SUS304
15	BOLT NUT	4.6	SUS304
16	BELLEVILLE WASHER	2	SUS304
17	LOCK SADDLE	1	SUS304
18	STEM NUT	2	SUS304
19	LOCKING DEVICE	1	SUS304
20	STOP PIN	1	SUS304
21	STOP PIN NUT	1	SUS304
22	HANDLE	1	CF8
23	HANDLE SLEEVE	1	VINYL



DIMENSIONS (mm)

SIZE	B1		B2		ØD			Ød1			E		F		ØH		J		L		O		RT		ISO211			
	F	R	F	R	F	R	F	F	F	F	R	F	R	F	R	F	R	F	R	F	R	F	R	F	R	F	R	
1/4"	DN8	27.7	-	12.7	-	11.2	-	9.5	-	120	-	66	-	8.0	-	5.0	-	66.8	-	0.5	-	14.1	-			F03	-	
3/8"	DN10	27.7	-	12.7	-	12.7	-	12.7	-	120	-	66	-	8.0	-	5.0	-	66.8	-	0.5	-	17.5	-			F03	-	
1/2"	DN15	38.1	27.7	15	12.7	15	12.7	15.6	15.8	134	120	84	66	9.7	8.0	6.3	5.0	71.0	66.8	0.5	0.5	22.4	22.4			F04	F03	
3/4"	DN20	41.8	38.1	20	15	20	15	20.7	21	134	134	88	84	9.7	9.7	6.3	6.3	96.5	71.0	0.5	0.5	27.4	27.4			F04	F04	
1"	DN25	51.6	41.8	21.4	20	25.4	20	26.6	28.8	167	134	98	88	11.2	9.7	8.0	6.3	109.1	96.5	0.5	0.5	34.2	34.2			F05	F04	
1 1/4"	DN32	54.9	51.6	21.7	21.4	32	25.4	35.6	35.1	167	167	101	98	11.2	11.2	8.0	8.0	117.0	109.1	0.5	0.5	43.0	43.0			F05	F05	
1 1/2"	DN40	66.2	54.9	25.6	21.7	38	32	41.2	41.2	204	167	117	101	16.0	11.2	9.5	8.0	129.3	117.0	0.5	0.5	49.0	49.0			F07	F05	
2"	DN50	75.4	66.2	25.2	25.6	50.8	38	53	53	204	204	125	117	16.0	16.0	9.5	9.5	141.4	129.3	1.0	1.0	61.1	61.1			F07	F07	
2 1/2"	DN65	89.4	75.4	42.7	25.2	65	50.8	68.4	68.4	250	204	165	125	22.3	16.0	17.0	9.5	173.9	141.4	1.0	1.0	77.1	77.1			F10	F07	
3"	DN80	101.2	89.4	39.4	42.7	76	65	77.8	77.8	250	250	174	165	22.3	22.3	17.0	17.0	193.1	173.9	1.6	1.6	90.2	90.2			F10	F10	
4"	DN100	-	101.2	-	39.4	-	76	-	102.5	-	250	-	174	-	22.3	-	17.0	-	193.1	-	1.6	-	115.1	-			F10	-

SERIES 10  
SERIES 20  
SERIES 30  
SERIES 70  
SERIES 85  
SERIES 90  
SERIES 95  
SERIES M / MP  
OTHER VALVES AND VALVE PARTS  
PRESSURE-TEMPERATURE RATINGS

SERIES 10  
SERIES 20  
SERIES 30  
SERIES 70  
SERIES 85  
SERIES 90  
SERIES 95  
SERIES M / MP  
OTHER VALVES AND VALVE PARTS  
PRESSURE-TEMPERATURE RATINGS