

SERIES 70

MODEL  
701 / 702  
703 / 704

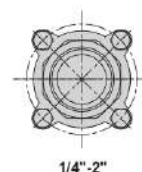
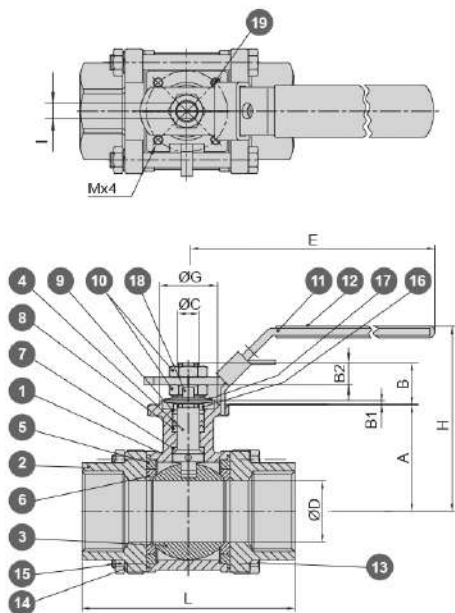
3-Piece Ball Valve



<b>Pressure Rating</b>	PN64 (1/4"-2") PN50 (2 1/2"-4")
<b>Material</b>	EN10213-1.4408, ASTM A351-CF8M
<b>Seat</b>	PTFE, TFM1600, 25%, 50%
<b>Bore Type</b>	Full bore
<b>Additional Features</b>	<ul style="list-style-type: none"> <li>Available connections: Threaded, Socket weld, Butt weld, Extended butt weld</li> <li>Anti-static device (Ball-stem-body)</li> <li>Able to mount actuators with extra parts</li> </ul>

MATERIALS LIST

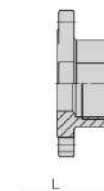
NO.	PART NAME	QTY	MATERIAL
1	BODY	1	1.4408 (CF8M)
2	END CAP	2	1.4408 (CF8M)
3	BALL	1	SUS316
4	STEM	1	SUS316
5	JOINT GASKET	2	PTFE
6	SEAT	2	PTFE
7	STEM SEAL	1	R.PTFE
8	V-RING PACKING	1SET	PTFE
9	BUSHING	1	50%S.S.POWDER FILLED PTFE
10	STEM NUT	2	SUS304
11	HANDLE LOCK	1	SUS304
12	HANDLE SLEEVE	1	VINYL
13	BOLT	4~6	SUS304
14	WASHER	4~12	SUS304
15	BOLT NUT	4~12	SUS304
16	GLAND	1	SUS304
17	BELLEVILLE WASHER	2	SUS304
18	LOCK SADDLE	1	SUS304
19	STOP PIN	1	SUS304



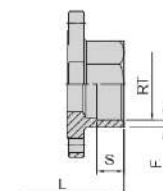
1/4"-2"



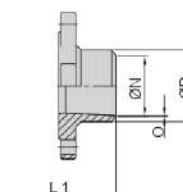
2 1/2"-4"



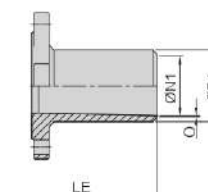
MODEL 701  
Threaded  
End



MODEL 702  
Socket Weld  
End



MODEL 703  
Butt Weld  
End



MODEL 704  
Extended Butt  
Weld End

DIMENSIONS (mm)

SIZE	A	B	B1	B2	ØC	ØD	E	F	ØG	H	I	L	L1	LE	M	ØN	ØN1	O	ØP	ØP1	RT	S	ISO 5211
1/4"	37	18.8	2	9.3	9.5	11.6	136	3.6	25	72	6.3	60	70	-	M5	11.6	-	1	18	-	14.2	11	F03
3/8"	37	18.8	2	9.3	9.5	12.5	136	2	25	72	6.3	60	70	-	M5	14	-	1	18	-	17.7	11	F03
1/2"	37	18.8	2	9.3	9.5	15	136	2	25	72	6.3	69	69	225	M5	17	15.6	1	22.7	21	21.9	12	F03
3/4"	40.3	18.8	2	9.3	9.5	20	136	2.6	25	74	6.3	78	78	225	M5	22.5	20.7	1	27.8	26.8	27.3	14	F03
1"	50	20.4	2	10.7	11.1	25	152	3.2	30	92	8	84	84	244	M5	26	25.8	1	33.5	34.4	34.1	14	F04
1 1/4"	55.5	20.4	2	10.7	11.1	32	152	5.35	30	98	8	104	104	253	M5	34.4	33.3	1	42.2	43.4	42.8	15	F04
1 1/2"	63	26.8	3	12.6	14.3	38	190	5.7	35	109	9.5	110	119	258	M6	41.5	40.5	1	49	49.8	48.8	17	F05
2"	71.3	26.8	3	12.6	14.3	50	190	6.1	35	117	9.5	129	131	275	M6	53	51.5	1	61	61	61.3	19	F05
2 1/2"	89.9	33.5	3	17	19.1	65	287	7.15	55	147	15	185	190	332	M8	69.4	65	1	75.7	77	74	21	F07
3"	99	33.9	3	17	19.1	80	304	7.6	70	156	15	205	220	354	M10	82	81	1	91.6	91	90	25	F10
4"	120	33.9	3	17	25.4	100	440	7.85	70	178	15	230	269	360	M10	103	101	1	115.8	115	115.6	30	F10

SERIES 10  
SERIES 20  
SERIES 30  
SERIES 70  
SERIES 85  
SERIES 90  
SERIES 95  
SERIES M/PY / MP  
OTHER VALVES AND VALVE PARTS  
PRESSURE-TEMPERATURE RATINGS