

SERIES 30

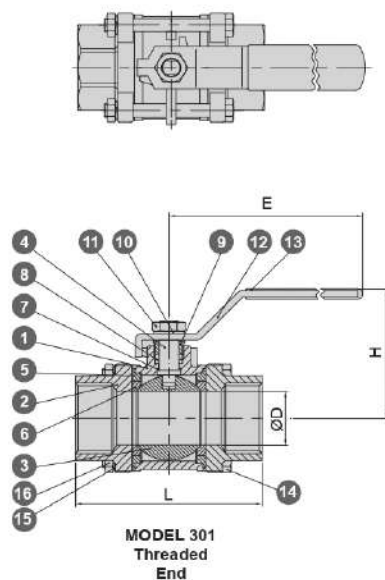
**MODEL**  
**301 / 302 / 303**  
**304 / 304G**  
3-Piece Manual  
Ball Valve



<b>Pressure Rating</b>	1000WOG
<b>Material</b>	ASTM A351-CF8M, ASTM A216-WCB
<b>Seat</b>	PTFE, TFM1600, 25%, 50%
<b>Bore Type</b>	Full bore
<b>Additional Feature</b>	Available connections: Threaded, Socket weld, Butt weld, Extended butt weld, Grooved end

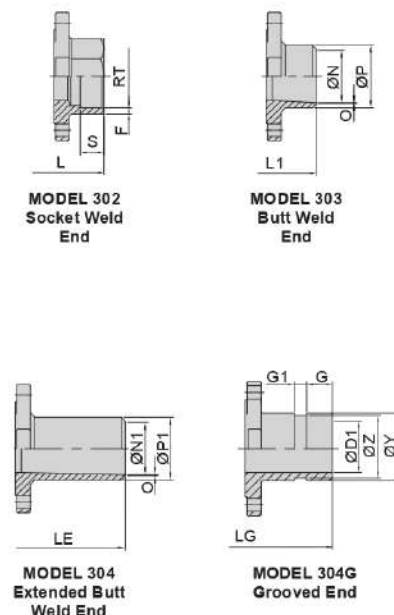
**MATERIALS LIST**

NO.	PART NAME	QTY	MATERIAL
1	BODY	1	CF8M
2	END CAP	2	CF8M
3	BALL	1	SUS316
4	STEM	1	SUS316
5	JOINT GASKET	2	PTFE
6	SEAT	2	PTFE
7	STEM SEAL	1	PTFE
8	STEM PACKING	1	PTFE
9	GLAND NUT	1	SUS304
10	WASHER	1	SUS304
11	STEM NUT	1	SUS304
12	HANDLE	1	SUS304
13	HANDLE SLEEVE	1	VINYL
14	BOLT	4-6	SUS304
15	WASHER	4-12	SUS304
16	BOLT NUT	4-12	SUS304



**DIMENSIONS (mm)**

SIZE	ØD	ØD1	E	F	G	G1	H	S	L	L1	LE	LG	ØN1	ØN11	Ø	ØP	ØP1	RT	ØY	ØZ
1/4"	11.6	-	103	3.6	-	-	54	11	61	61	223	-	11.6	11.6	1	18	15	14.2	-	-
3/8"	12.5	-	103	2	-	-	54	11	61	61	223	-	12.5	14	1	18	17	17.7	-	-
1/2"	15	15	133	2	15.9	7.93	55	12	69	69	225	127	17	15.6	1	22.7	21	21.9	20.6	17.8
3/4"	20	20	133	2.6	15.9	7.93	59	14	78	78	225	127	22.5	20.7	1	27.7	26.8	27.3	26.7	23.8
1"	25	25	153	3.2	15.9	7.93	70	14	84	84	244	152.4	26	25.8	1	33.5	34.4	34.1	33.4	30.2
1 1/4"	32	32	153	4.05	15.9	7.93	75	15	104	104	253	152.4	34.4	33.3	1	42.2	43.4	42.8	42.2	39
1 1/2"	38	38	191	3.7	15.9	7.93	84	17	118	119	258	177.8	41.5	40.5	1	48.8	49.8	48.8	48.3	45.1
2"	50	50	191	4.35	15.9	7.93	92	19	129	131	275	203.2	53	51.5	1	61	61	61.3	60.3	57.2
2 1/2"	65	65	247	5.75	15.9	7.93	128	21	162	162	332	228.6	65.8	68	1	77	77	74	73	69.1
3"	80	80	247	5.25	15.9	7.93	137	25	182	182	351	254	81	81	1	91	91	90	88.9	84.9
4"	100	100	295	5.7	15.9	9.53	173	30	230	230	360	304.8	102	101	1	115	115	115.6	114.3	110.3



SERIES 10  
SERIES 20  
SERIES 30  
SERIES 70  
SERIES 85  
SERIES 90  
SERIES 95  
SERIES MPT / MP  
OTHER VALVES AND VALVE PARTS  
PRESSURE-TEMPERATURE RATINGS