

SERIES 20

MODEL 205

2-Piece High Pressure
Ball Valve
Threaded



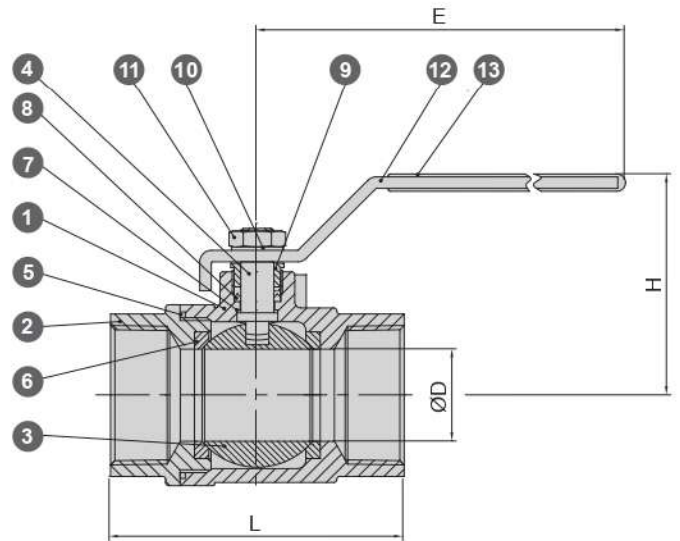
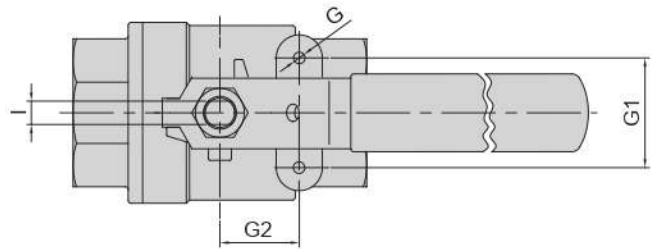
Pressure Rating	2000WOG (1/4"-1") 1500WOG (1 1/4"-2")
Material	ASTM A351-CF8M
Seat	TFM1600
Bore Type	Reduced bore
Additional Features	Drilled and tapped mounting pad

MATERIALS LIST

NO.	PART NAME	Q'TY	MATERIAL
1	BODY	1	CF8M
2	END CAP	1	CF8M
3	BALL	1	SUS316
4	STEM	1	SUS316
5	PACKING	1	PTFE
6	SEAT	2	TFM1600
7	STEM SEAL	1	PTFE
8	STEM PACKING	1	PTFE
9	GLAND NUT	1	SUS304
10	WASHER	1	SUS304
11	STEM NUT	1	SUS304
12	HANDLE	1	SUS304
13	HANDLE SLEEVE	1	VINYL

DIMENSIONS (mm)

SIZE	ØD	E	H	I	L	G	G1	G2
1/4"	9.5	103	47	5	52	3/16"-UNC	28	12.7
3/8"	9.5	103	47	5	52	3/16"-UNC	28	12.7
1/2"	12.5	133	50	5	62	3/16"-UNC	28	12.7
3/4"	15	133	56	6.3	69	3/16"-UNC	35	22.4
1"	20	153	59	6.3	83	3/16"-UNC	35	22.4
1 1/4"	25	153	69	8	90	3/16"-UNC	38.1	25.4
1 1/2"	32	191	75	8	104	1/4"-UNC	38.1	25.4
2"	38	191	83	9.5	117	1/4"-UNC	38.1	25.4



SERIES 10

SERIES 20

SERIES 30

SERIES 70

SERIES 85

SERIES 90

SERIES 95

SERIES
MPY / MP

OTHER VALVES
AND
VALVE PARTS

PRESSURE
TEMPERATURE
RATINGS