

SERIES 20

MODEL 205S2

2-Piece Spring Return

Ball Valve

Threaded



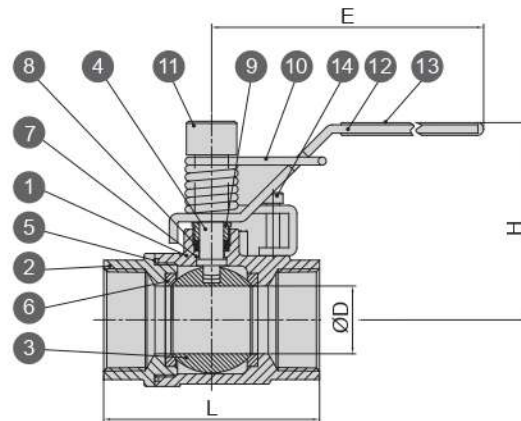
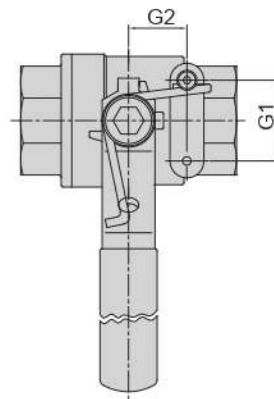
Pressure Rating	2000WOG
Material	ASTM A351-CF8M
Seat	TFM1600
Bore Type	Reduced bore
Additional Feature	Normally closed

MATERIALS LIST

NO.	PART NAME	QTY	MATERIAL
1	BODY	1	CF8M
2	END CAP	1	CF8M
3	BALL	1	SUS316
4	STEM	1	SUS316
5	PACKING	1	PTFE
6	SEAT	2	TFM1600
7	STEM SEAL	1	PTFE
8	STEM PACKING	1	PTFE
9	GLAND NUT	1	SUS304
10	SPRING	1	STEEL
11	BOLT	1	STEEL
12	HANDLE	1	SUS304
13	HANDLE SLEEVE	1	VINYL
14	STOPPER BOLT	1	STEEL

DIMENSIONS (mm)

SIZE	ØD	E	H	L	G1	G2
1/4"	9.5	119	58	52	28	12.7
3/8"	9.5	119	58	52	28	12.7
1/2"	12.7	119	61	62	28	12.7
3/4"	15	137	70	69	35	22.4
1"	20	137	73	83	35	22.4
1 1/4"	25	177	86	90	38.1	25.4
1 1/2"	32	177	92	104	38.1	25.4
2"	38	216	104	117	38.1	25.4



SERIES 10

SERIES 20

SERIES 30

SERIES 70

SERIES 85

SERIES 90

SERIES 95

SERIES
MPY / MP

OTHER VALVES
AND
VALVES PARTS

PRESSURE
TEMPERATURE
RATINGS