

SERIES 10

MODEL

103 / 103-1

1-Piece Mini Ball Valve

Threaded



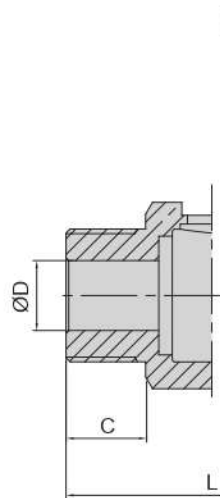
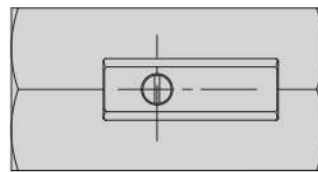
Pressure Rating	800WOG
Material	ASTM A351-CF8M
Seat	PTFE
Bore Type	Reduced bore

MATERIALS LIST

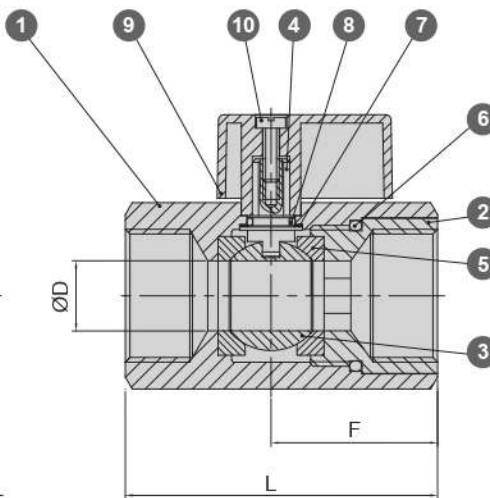
NO.	PART NAME	Q'TY	MATERIAL
1	BODY	1	CF8M
2	INSERT	1	SUS316
3	BALL	1	SUS316
4	STEM	1	SUS316
5	SEAT	2	PTFE
6	O-RING	1	VITON
7	STEM SEAL	1	PTFE
8	O-RING	1	VITON
9	HANDLE	1	PA66-GF30%
10	HANDLE BOLT	1	SUS304

DIMENSIONS (mm)

SIZE	C	ØD	F	L	H	CH
1/8"	11	6	27	50	31.2	26.8
1/4"	11	8	27	50	31.2	26.8
3/8"	11	10	27	50	31.2	26.8
1/2"	11	10	27	50	31.2	26.8



MODEL 103-1
Male



MODEL 103
Female

