

# SERIES 10

## MODEL 101

1-Piece Ball Valve  
Threaded



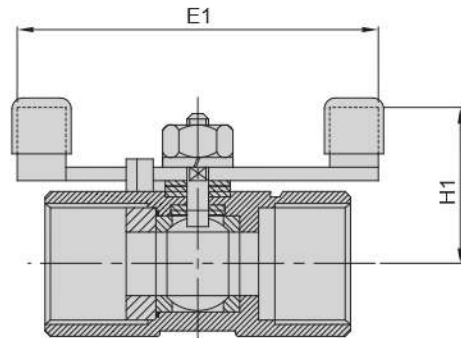
<b>Pressure Rating</b>	800WOG
<b>Material</b>	ASTM A351-CF8M
<b>Seat</b>	PTFE
<b>Bore Type</b>	Reduced bore

### MATERIALS LIST

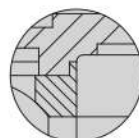
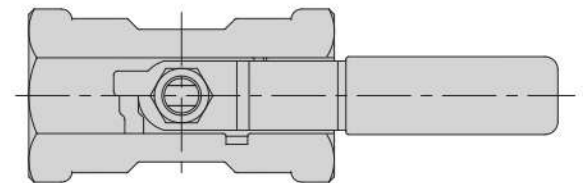
NO.	PART NAME	QTY	MATERIAL
1	BODY	1	CF8M
4	BALL	1	SUS316
5	STEM	1	SUS316
9	INSERT	1	SUS316
11	PACKING	1	PTFE
12	SEAT	2	PTFE
13	THRUST WASHER	1	PTFE
14	STEM PACKING	1	PTFE
15	GLAND	2	SUS304
19	HANDLE	1	SUS304
21	HANDLE SLEEVE	1	VINYL
23	HANDLE WASHER	1	SUS304
24	HANDLE NUT	1	SUS304

### DIMENSIONS (mm)

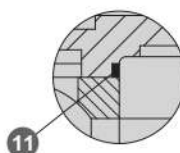
SIZE	PORT	L	E	E1	H	H1	W
1/4"	5	39	68.5	48	29.5	25.5	17
3/8"	7.2	44	79	41	32	27.5	21
1/2"	9.2	56.5	97	54	46	31	25
3/4"	12.5	59	97	54	49	34.5	32
1"	15	71	101	70	53.5	49.5	38
1 1/4"	20	78	101	-	58.5	-	48
1 1/2"	25	83	146	-	65.5	-	53
2"	32	100	146	-	71	-	64



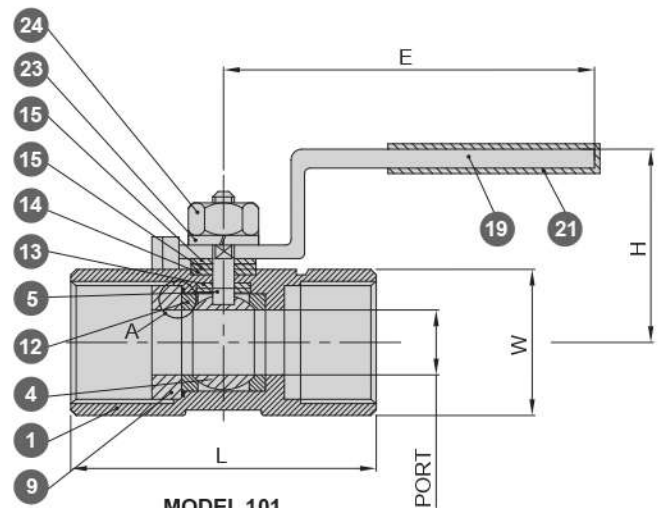
MODEL 101B  
Butterfly Handle



1/4"~1"  
A-VIEW



1 1/4"~2"  
A-VIEW



MODEL 101