



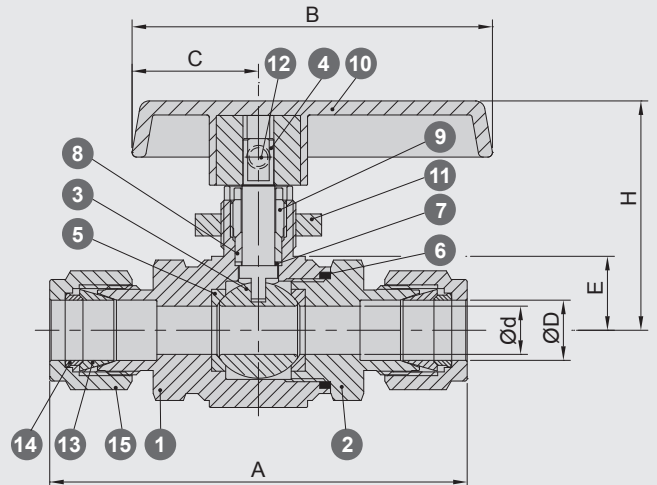
# MODEL MP271 / MP2714

2-Piece Instrumentation Ball Valve

<b>Maximum Pressure</b>	1000PSI (69bar)
<b>Temperature Rating</b>	-20°C ~ +180°C
<b>Material</b>	ASTM A351-CF8M
<b>Seat</b>	TFM1600
<b>Additional Features</b>	<ul style="list-style-type: none"> <li>• Oil-free product</li> <li>• Available connections: Tube fitting end, Tube fitting end x Tube end</li> <li>• Silver plated nut</li> <li>• Heat treated ferrule</li> </ul>

### MATERIALS LIST

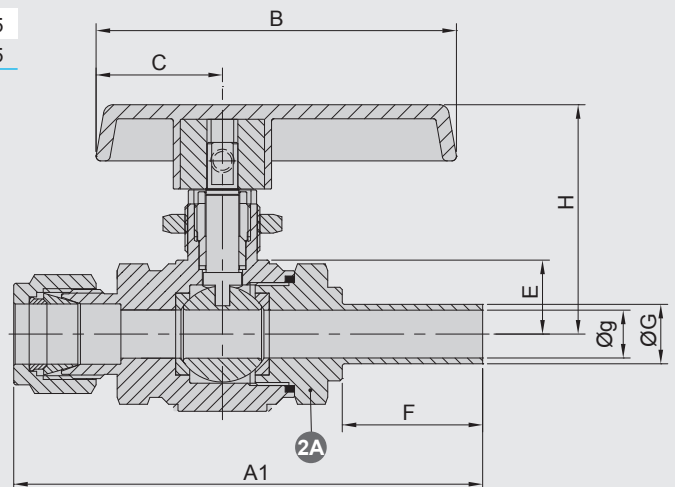
NO.	PART NAME	QTY	MATERIAL
1	BODY	1	ASTM A351-CF8M
2	END CONNECTOR	1	ASTM A351-CF8M
2A	END CAP	1	SUS316L
3	BALL	1	SUS316
4	STEM	1	SUS316
5	SEAT	2	TFM1600
6	BODY SEAL	1	PTFE
7	STEM WASHER	1	SUS304
8	STEM PACKING	1SET	PTFE
9	PACKING NUT	1	SUS316
10	HANDLE	1	PA66-GF30%
11	PANEL NUT	1	SUS304
12	HANDLE SET SCREW	1	SUS304
13	FRONT FERRULE	1~2	SUS316
14	BACK FERRULE	1~2	SUS316
15	NUT	1~2	SUS316



MODEL MP271  
Tube Fitting End

### DIMENSIONS(mm)

SIZE	A	A1	B	C	Ød	ØD	E	F	Øg	ØG	H
1/4"	67	82	63	25	4.6	6.49	11.2	30	4.57	6.35	42.6
3/8"	70	83.5	63	25	6.4	9.7	11.2	30	7.53	9.53	42.6
1/2"	89.2	100.2	77	27	10.3	12.9	15.8	30	10.22	12.7	49.15
3/4"	89.4	106.2	77	27	10.3	19.2	15.8	36	16.57	19.05	49.15



MODEL MP2714  
Tube Fitting End x Tube End