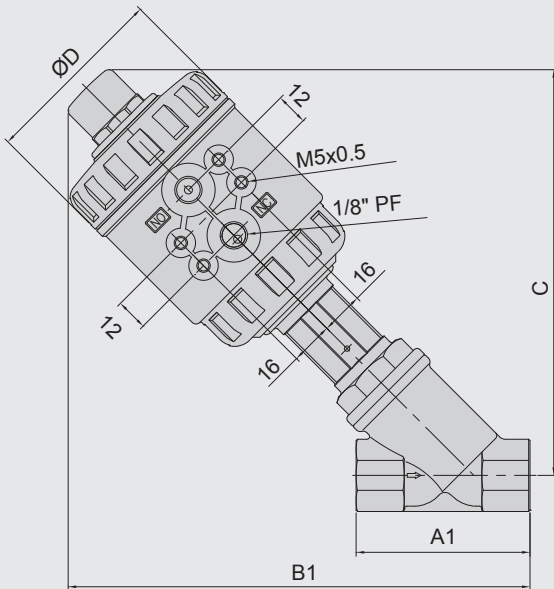


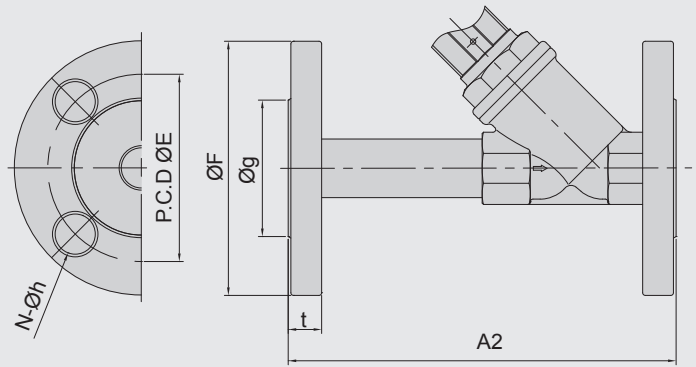
SERIES MPY / MP



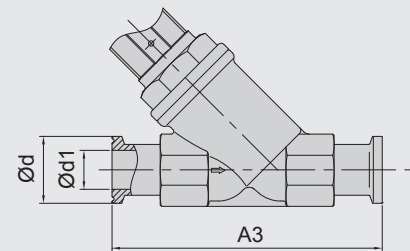
Valve Piloting Type	Pneumatics (Spring return)
Control Function	Normally closed, Normally open
Material	ASTM A351-CF8M
Temperature Range	-10°C ~ +180°C
Control Pressure	4 ~ 10 Bar
Seat	PTFE
Additional Features	<ul style="list-style-type: none"> • Available connections: Threaded, Flanged, T-Clamp • NAMUR solenoid mounting pad



MODEL MPY1
Threaded End



MODEL MPY2
Flanged End



MODEL MPY3
Clamp End

DIMENSIONS(mm)

SIZE	A1	A2	A3	B1	C	ØD	Ød	Ød1	ØE	ØF	Øg	N-Øh	t	Ø Control head	P control bar		P operating bar		
															Min	Max	Max		
1/2"	10K	65	145	113	173	152	70	25	9.5	70	95	51	4-15	12.5	50	4	10	11	
	PN16									65	95	45	4-14						14
	150LB									60.3	89	35	4-16						11.2
3/4"	10K	75	150	130	179	157	70	25	15.9	75	100	56	4-15	14.5	50	4	10	11	
	PN16									75	105	58	4-14						16
	150LB									69.9	98.4	43	4-16						12.7
1"	10K	90	180	140	209	182	84	50.4	22.2	90	125	67	4-19	14.3	63	4	10	11	
	PN16									90	115	68	4-14						16
	150LB									79.4	108	50.8	4-16						14.3
1 1/4"	10K	110	190	-	214	192	84	-	-	100	135	76	4-19	16.3	63	4	10	11	
	PN16									100	140	78	4-18						16
	150LB									88.9	117.5	63.5	4-16						15.8
1 1/2"	10K	120	220	170	250	219	115	50.4	35	105	140	81	4-19	16.5	90	4	8	11	
	PN16									110	150	88	4-18						16
	150LB									98.4	127	73	4-16						17.4
2"	10K	150	235	212	267	226	115	64.5	47.5	120	155	96	4-19	16.5	90	4	8	11	
	PN16									125	165	102	4-18						18
	150LB									120.7	152.4	92	4-19						19