

MODEL 90KF-NW

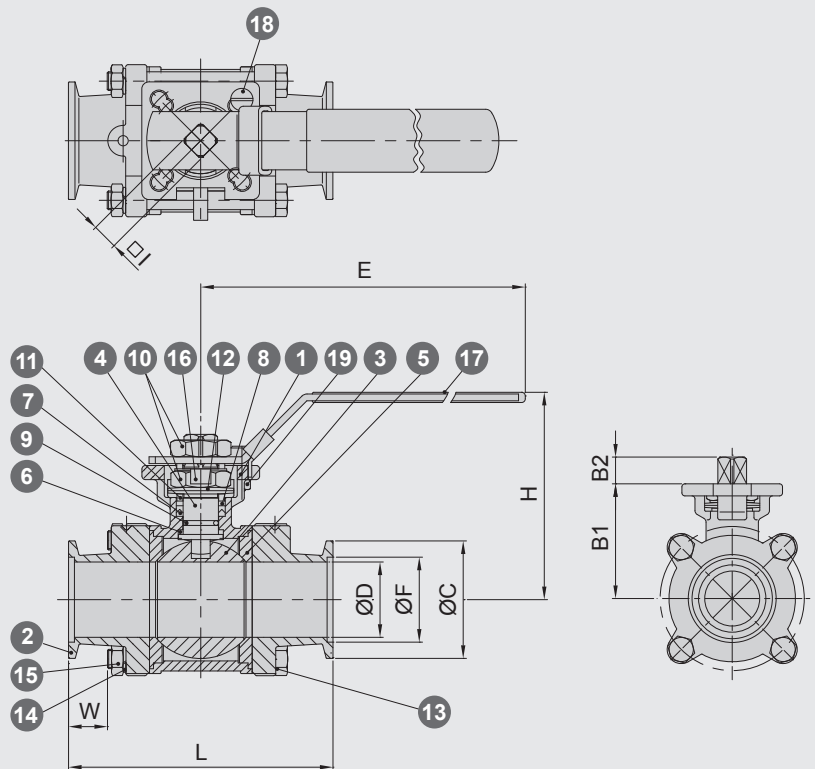
3-Piece Vacuum Ball Valve



Pressure Rating	PN64
Material	EN10213-1.4408, ASTM A351-CF8M
Seat	TFM1600
Bore Type	Full bore
Additional Features	<ul style="list-style-type: none"> • ISO5211 direct mounting pad • Vacuum rated to 1×10^{-4} Torr • Able to add anti-static device (ball-stem-body)

MATERIALS LIST

NO.	PART NAME	QTY	MATERIAL
1	BODY	1	1.4408(CF8M)
2	END CAP	2	1.4408(CF8M)
3	BALL	1	SUS316
4	STEM	1	SUS316
5	SEAT	2	TFM1600
6	STEM SEAL	1	R.PTFE
7	V-RING PACKING	1SET	PTFE
8	BUSHING	1	50%S.S.POWDER FILLED PTFE
9	O-RING	1	VITON
10	STEM NUT	2	SUS304
11	GLAND	1	SUS304
12	BELLEVILLE WASHER	2	SUS304
13	BOLT	4	SUS304
14	WASHER	4	SUS304
15	BOLT NUT	4	SUS304
16	LOCK SADDLE	1	SUS304
17	HANDLE LOCK	1	SUS304
18	STOP PIN	1	SUS304
19	STOP PIN NUT	1	SUS304



DIMENSIONS(mm)

SIZE	B1	B2	ØC	ØF	ØD	E	H	□	L	W	ISO 5211
NW10 3/8"	40.2	9	30	12.2	9.5	128	70.5	9	89	14.5	F03 F04
NW16 1/2"	40.2	9	30	17.2	15	128	70.5	9	89	14.5	F03 F04
NW25 1"	52	14	40	26.2	22.2	167	85.4	11	119	22.5	F04 F05
NW40 1 1/2"	65.7	15.5	55	41.2	38	215	99.6	14	147	23	F05 F07
NW50 2"	73.95	15.5	75	52.2	50	215	107.8	14	181	23	F05 F07