

**SERIES 90**

**MODEL  
906 / 907**

3-Piece Sanitary Ball Valve  
T-Clamp / Butt weld  
(6")

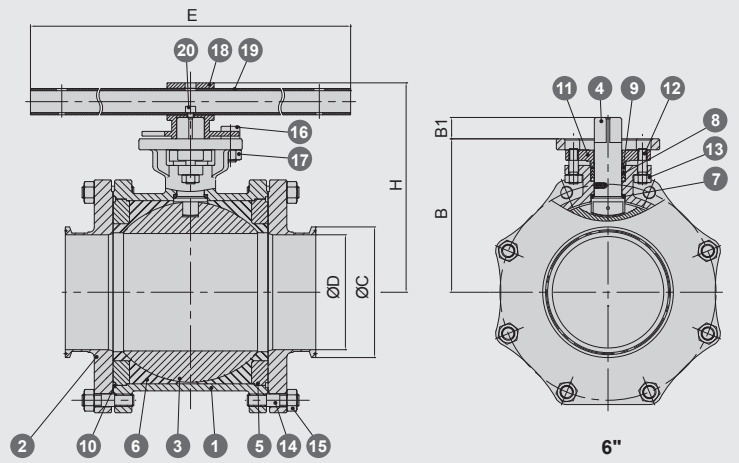
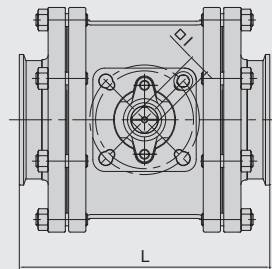
<b>Pressure Rating</b>	PN16 (6")
<b>Material</b>	ASTM A351-CF3M
<b>Seat</b>	Cavity filled PTFE, Non-cavity filled TFM1600
<b>Bore Type</b>	Standard bore
<b>Additional Features</b>	<ul style="list-style-type: none"> <li>▪ Surface roughness: <math>Ra \leq 0.4\mu m</math></li> <li>▪ ISO5211 direct mounting pad</li> <li>▪ Able to add anti-static device (ball-stem-body)</li> </ul>

**MATERIALS LIST**

NO.	PART NAME	Q'TY	MATERIAL
1	BODY	1	CF3M
2	END CAP	2	CF3M
3	BALL	1	SUS316L
4	STEM	1	630(H1150)
5	JOINT GASKET	2	SUS316
6	SEAT /CAVITY FILLER	2	PTFE
7	STEM SEAL	1	TFM1600
8	V-RING PACKING	1SET	PTFE
9	BUSHING	1	50%S.S.POWDER FILLED PTFE
10	PACKING	2	PTFE
11	GLAND	1	CF8
12	GLAND BOLT	2	SUS304
13	GLAND NUT	2	SUS304
14	BOLT	16	SUS304
15	NUT	16	SUS304
16	STOP PIN	1	SUS304
17	STOP PIN NUT	1	SUS304
18	HANDLE ADAPTOR	1	CF8
19	PIPE HANDLE	1	SUS304
20	HANDLE BOLT	1	SUS304

**DIMENSIONS(mm)**

SIZE	B	B1	ØC	ØD	E	H	□I	L	ISO 5211
6"	196	27	166.9	146.8	800	267.5	27	320	F12 F14



**MODEL 906  
Clamp End**